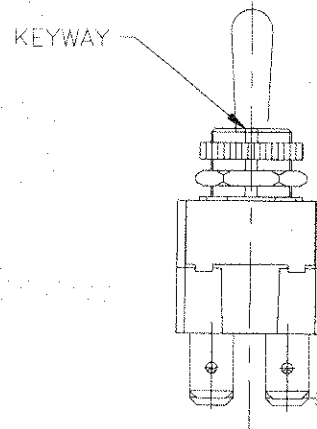
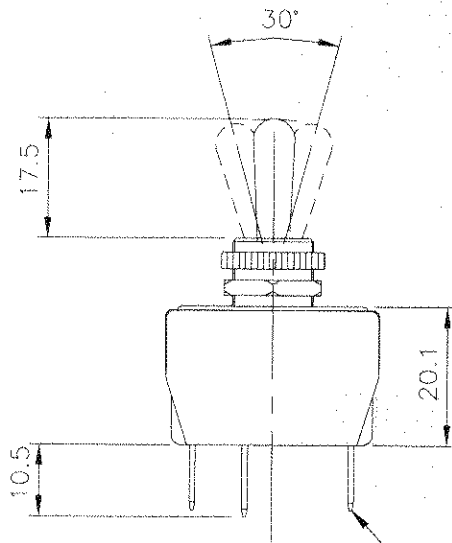
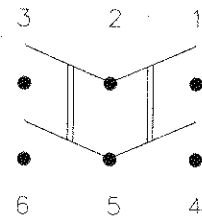
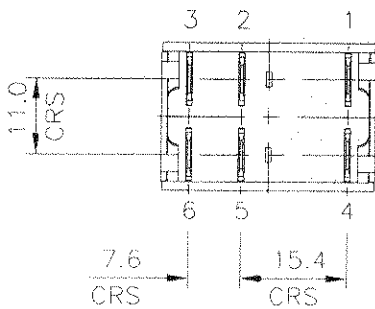


SUITABLE PANEL CUTOUT
 PANEL THICKNESS
 4.0 MAX. (WITH BACK NUT)



6.3 x 0.8
 TAB TERMINALS



SWITCH FUNCTION
 DOUBLE POLE
 3 POSITION
 CENTRE OFF

CP061/FORM-F116 ISS 4

ISSUE/CHANGE	
1	DCR6322 21.04.05

DIMENSIONS IN MM LIMITS - LINEAR = ± 0.3 - ANGULAR = ± 1° UNLESS OTHERWISE STATED			
DO NOT SCALE IF IN DOUBT-ASK			
DRAWN	DATE	CHECKED	SCALE
OJD	21.04.05		1 : 1

DRAWN IN ACCORDANCE
 WITH B.S. 308
 FOR TECHNICAL INFORMATION
 SEE CATALOGUE

OUTLINE DRAWING FOR
LEVER SWITCH

Arcoelectric
 SWITCHES PLC
 COPYRIGHT © RESERVED

DRAWING No
C3972BA

A
 4