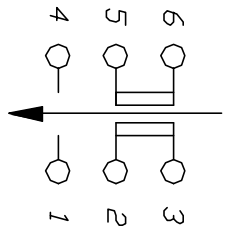
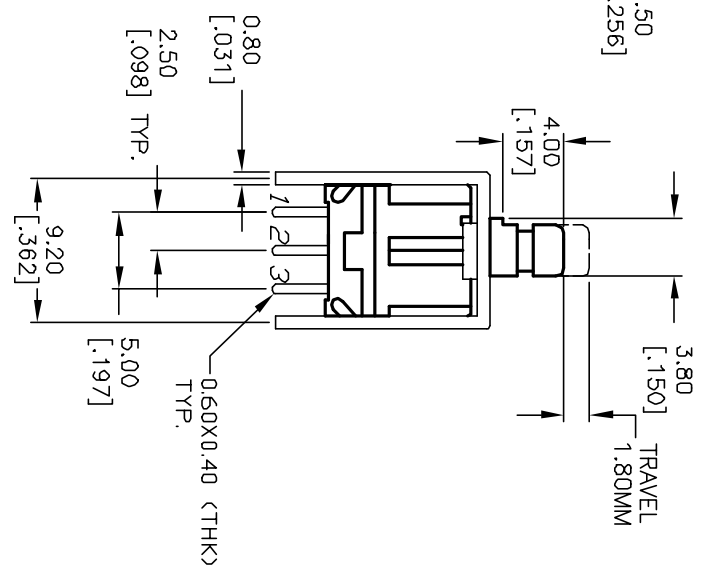
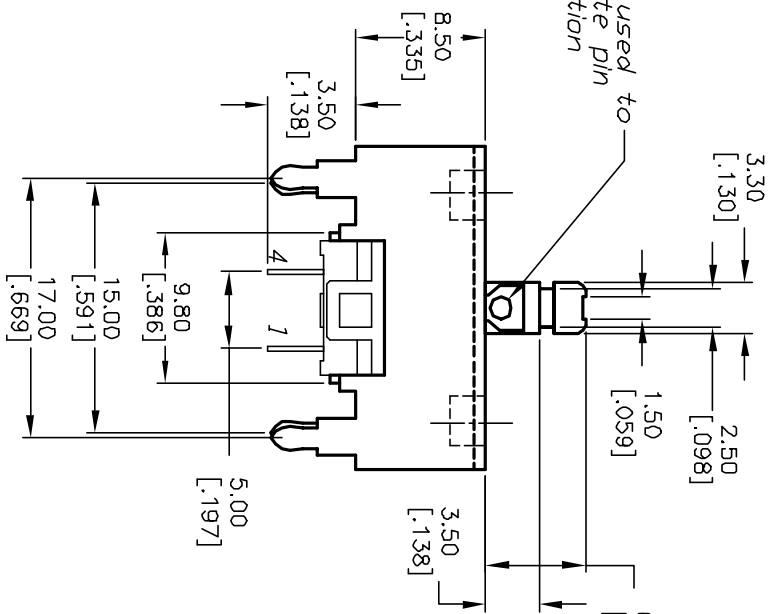


Hole used to locate pin location



NOTES:

1. ALL DIMENSIONS IN MM [INCH]
2. GENERAL TOLERANCE: X.X=±0.4
X.XX=±0.25
3. RATING: 0.1A @30VDC
4. OPERATING FORCE: 250±100 (GRAMS)
5. INSULATION RESISTANCE: 500V DC
6. ELECTRICAL LIFE: 10,000 CYCLES
7. OPERATING TEMP: -20°C TO 80°C

REV.	ECN No.	DESCRIPTION	DATE	CHKD
A	-	RELEASED FOR PRODUCTION	11/08/01	-

TITLE	SCALE	DATE	DR	DWG	REV
1XJN00 (1) 2U EE	2:1	11/08/01	-	D3000003	A



THE INFORMATION CONTAINED IN THIS DOCUMENT IS PROPRIETARY TO E-SWITCH AND IS NOT TO BE COPIED OR TRANSFERRED