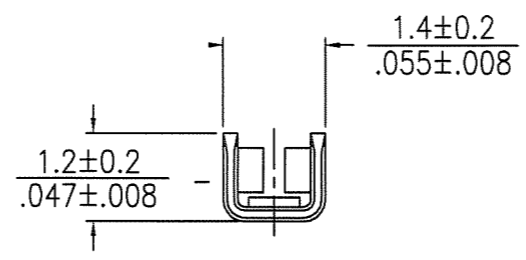
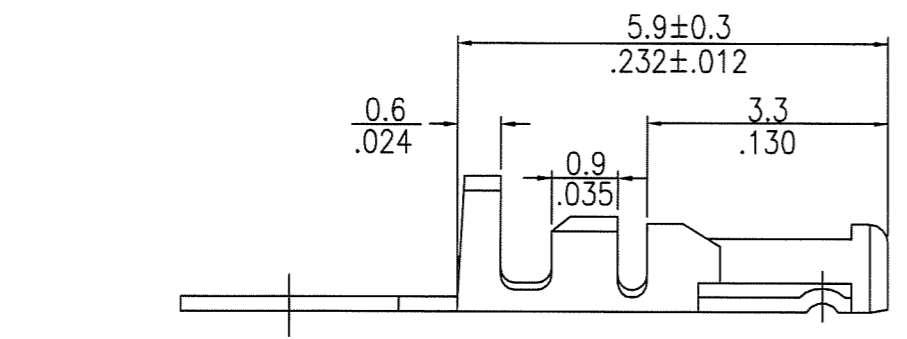
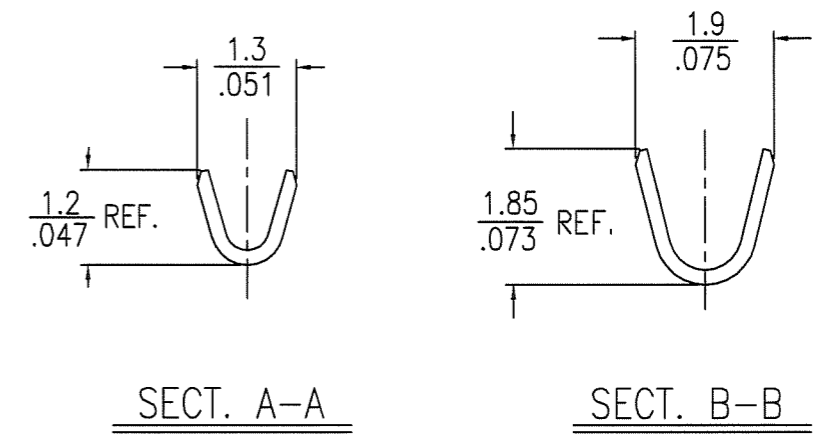
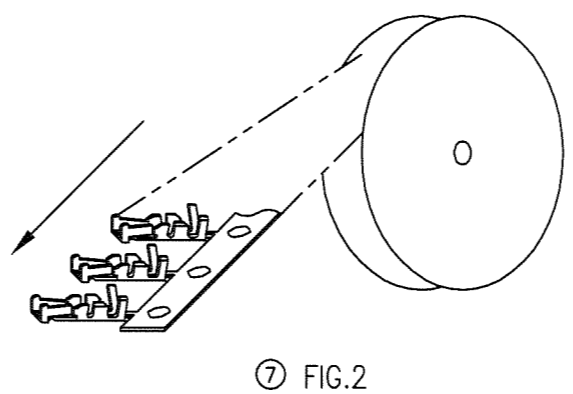
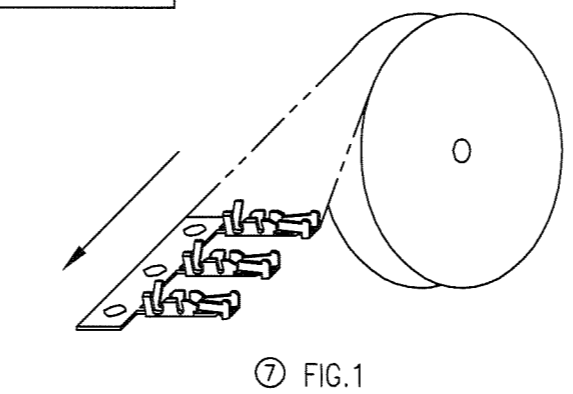
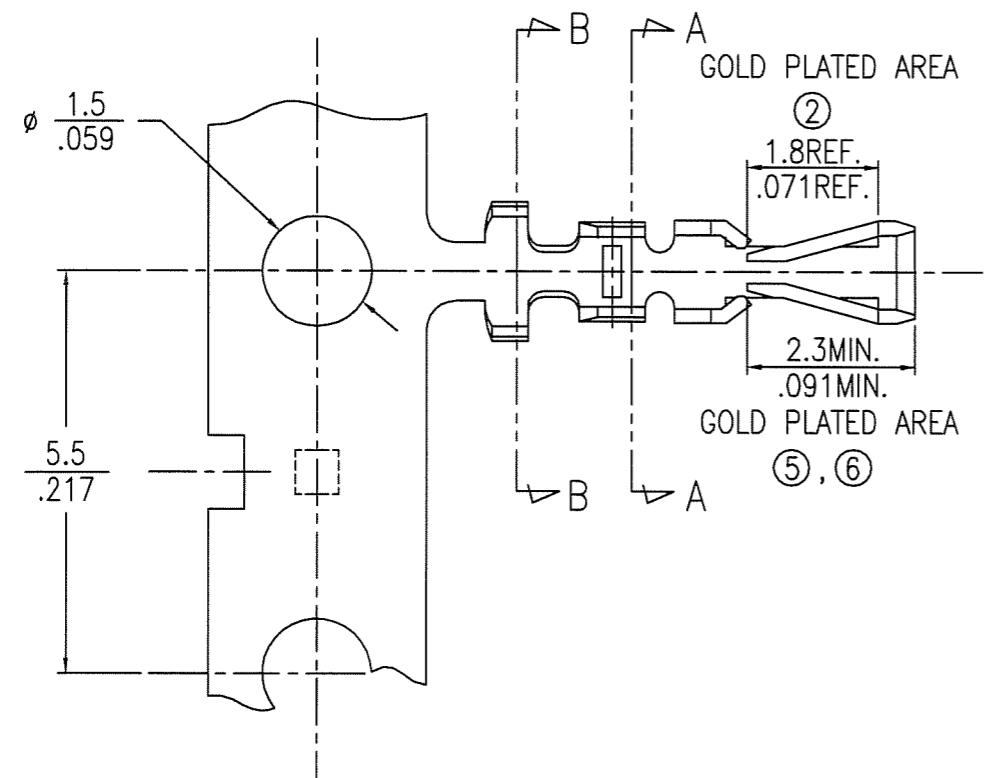


FCI CONFIDENTIAL



This document is the property of and embodies CONFIDENTIAL and PROPRIETARY information of FCI. No part of the information shown on this document may be used in any way or disclosed to others without the written consent of FCI. Copyright FCI.

PRODUCT NO.	FINISH	DIRECTION	PRODUCT NO.	FINISH	DIRECTION
77138-001	②	FIG. 1	△ 77138-001LF	②	FIG. 1
77138-101	⑥	FIG. 1	△ 77138-101LF	⑥	FIG. 1
77138-201	⑤	FIG. 1	△ 77138-201LF	⑤	FIG. 1
77138-001RE	②	FIG. 2	△ 77138-001RELF	②	FIG. 2



- NOTES :
- MATERIAL : PHOSPHOR BRONZE
 - FINISH : SELECTIVE GOLD PLATING 0.2μm MIN. (CONTACT AREA) OVER NICKEL
 - WIRE RANGE : AWG #26-#30
INS.DIA. : $\frac{1.4}{.055}$ DIA.MAX.
 - GENERAL TOLERANCE : $\pm \frac{0.25}{.010}$
 - FINISH : SELECTIVE GOLD PLATING 0.5μm MIN. (CONTACT AREA) OVER NICKEL
 - FINISH : SELECTIVE GOLD PLATING 0.76μm MIN. (CONTACT AREA) OVER NICKEL
 - SEE FIG. 1, 2 FOR UNREELING DIRECTION AFTER PLATING.
 - THIS PRODUCT MEETS EUROPEAN UNION DIRECTIVES AND OTHER COUNTRY REGULATIONS AS DESCRIBED IN GS-22-008.
 - CRIMP SPECIFICATION OF THIS PRODUCT : 100-006

mat'l. code				surface	tolerance	projection	product family	CODE
---				ISO 1302 ✓	ISO 406 ISO 1101		SMTs - MINITEK COMM COMP HPL577	JP
ltr	description	ecn no	dr	date	tolerances unless otherwise specified		title	
C	REVISED PER ECR J8424			5/26/87	angles	0.X ±0.25	MINITEK TERMINAL	
D	REVISED	J10082	N.Y	8/13/91	linear	0.XX ±0.25	(AWG#26-#30)	
E	REVISED	J70124	Y.K	5/27/97	0°±2°	0.XXX ±0.25	scale 10:1	
F	REVISED	J80320	H.T	8/11/98	dr		dwg no	
G	REVISED	J05-0550	R.S	8/31/05	enr		sheet 1 of 1 size	
H	REVISED	J06-0352	R.S	8/29/06	chr		77138 A3	
J	ADD_NOTE9	J07-0092	R.S	2/7/07	appd		type Product Customer Drawing	
sheet	revision	J					Rev.	
index	sheet	1					J	