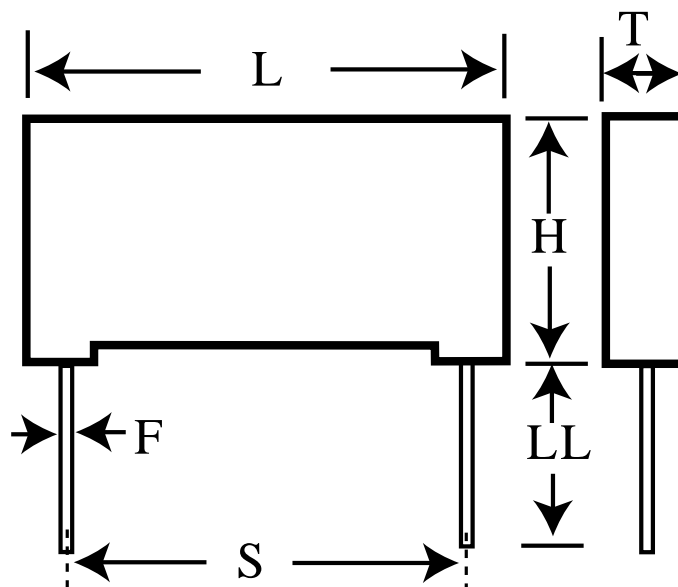


# PHE450SB4220JR06

aka F450BD222J2K0C

Capacitor, film, 2200 pF, +/-5% Tol, -55/+105C, General Purpose, 2000V@85C, Lead Spacing=15 mm



## Dimensions (mm)

## Specifications

ID	Dimension	Tolerance	Manufacturer:	KEMET
L	18	max	Brand:	Rifa
H	10.5	max	Capacitance:	2200 pF
T	5.5	max	Temperature Range:	-55/+105C
S	15	+/-0.4	Rated Temperature:	85C
LL	6	nom	Voltage @ rated temp:	2000V
F	0.8	nom	Voltage AC:	700VAC
			Tolerance:	+/-5%
			Body Type:	Radial Box
			Construction:	Double Metallized
			Application:	General Purpose
			Sub Application:	Pulse
			Dissipation Factor @ 1 kHz:	0.03%
			Dissipation Factor @ 10 kHz:	0.04%
			Dissipation Factor @ 100kHz:	0.15%
			Insulation Resistance:	100 GOhm
			Inductance:	6 nH
			Maximum dVdT:	2500v/us
			Miscellaneous Electrical:	IEC 60384-17, Gr. 1.1; series(PHE450)
			Package Kind:	Bulk
			Package Quantity:	1000