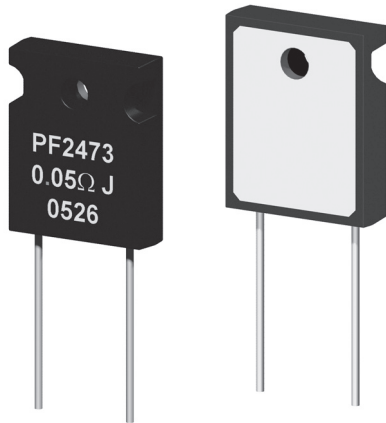
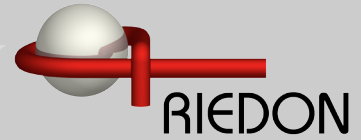


PF2470 Series

TO-247 Power Thin Film Resistors



- TO-247 Housing
- Rated Power to 140 Watts
- Resistances from 0.02 to 51K Ohms
- High Stability Film Resistance Elements
- Resistance Tolerance to $\pm 1\%$
- Low Inductance (<math>< 50\text{nH}</math>)
- Isolated Back Plate

SPECIFICATIONS

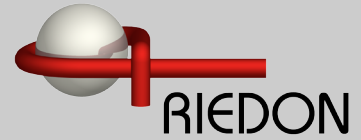
Type	Power Rating		Thermal Resistance	Resistance Range ³		Tolerances	Temperature Coefficients
	Heatsink ¹	Free Air ²		Min	Max		
PF2473	140W	5W	0.9°C/W	0.02Ω	51KΩ	$\pm 1\%$ ($R \geq 0.10\Omega$) $\pm 5\%$	$\pm 50\text{ppm}/^\circ\text{C}$ ($R \geq 10\Omega$) $\pm 100\text{ppm}/^\circ\text{C}$ ($0.1\Omega \leq R < 10\Omega$) $\pm 250\text{ppm}/^\circ\text{C}$ ($R < 0.1\Omega$)
PF2472	100W	3W	1.3°C/W	0.02Ω	51KΩ	$\pm 1\%$ ($R \geq 0.10\Omega$) $\pm 5\%$	$\pm 50\text{ppm}/^\circ\text{C}$ ($R \geq 10\Omega$) $\pm 100\text{ppm}/^\circ\text{C}$ ($0.1\Omega \leq R < 10\Omega$) $\pm 250\text{ppm}/^\circ\text{C}$ ($R < 0.1\Omega$)

¹ Power rating based on 25°C Flange Temperature
² Power rating based on 25°C Ambient Temperature
³ Consult Factory for Higher or Lower Values

Specification	Value	
Temperature Range	-55°C to +155°C	
Dielectric Strength	2500 VAC	
Max. Operating Voltage	700 V or $\sqrt{P \cdot R}$, whichever is less	
Insulation Resistance	>1000 Meg-Ohm	
Environmental Performance	ΔR	Test Conditions
Load Life	$\pm 1\% + 0.05\Omega$	25°C, 90 min ON, 30 min OFF, 1000 hr
Humidity Resistance	$\pm 1\% + 0.05\Omega$	40°C, 90-95% RH, DC 0.1W, 1000 hr
Temperature Cycle	$\pm 0.25\% + 0.05\Omega$	-55°C for 30 min, +155°C for 30 min, 1000 hr
Solder Heat	$\pm 0.1\% + 0.05\Omega$	+350°C, 3s
Vibration	$\pm 0.25\% + 0.05\Omega$	IEC60068-2-6

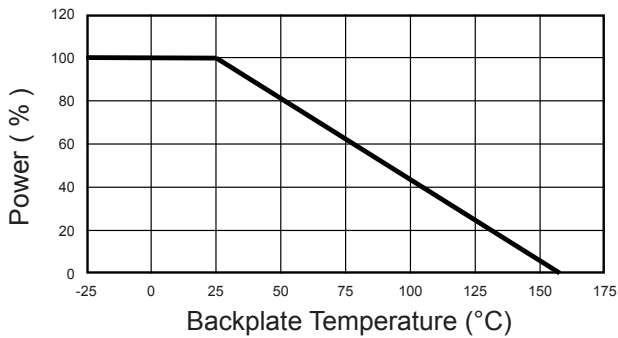
PF2470 Series

TO-247 Power Thin Film Resistors



SPECIFICATIONS (continued)

Power Derating Curve



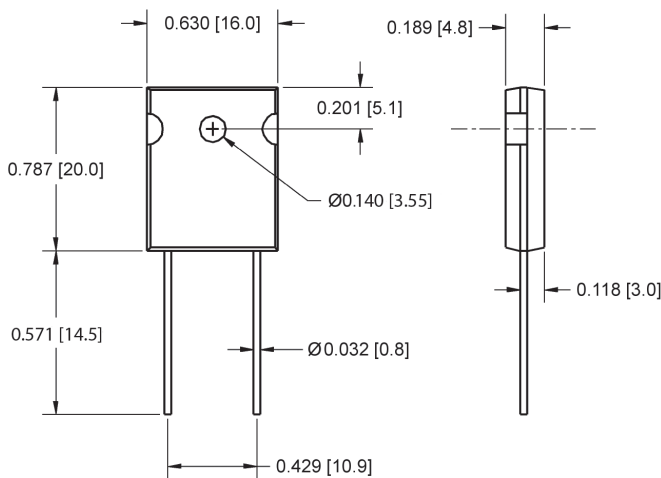
Power Rating Notes -

The PF2470 Series Thin Film Resistors must be attached to a suitable heatsink. The maximum internal resistor temperature is 155°C (120°C for the PF2201).

To specify an appropriate heatsink use the following formula :

$$R_{\theta H} = \frac{T_{MAX} - (P \times R_{\theta R}) - T_A}{P}$$

Where: $R_{\theta H}$ = Thermal Resistance of Heatsink (°C/W)
 $R_{\theta R}$ = Thermal Resistance of Resistor (°C/W)
 T_{MAX} = Maximum Temperature of Resistor
 T_A = Ambient Temperature of Heatsink (°C)
 P = Power Through Resistor (W)



Mounting Notes -

The PF2470 Series Thin Film Resistors must be attached to a suitable heatsink. Mount resistor using thermal grease to a clean, flat surface. Use a compression washer to provide 150 to 300 pounds (665 to 1330N) of mounting force. Torque mounting screw to 8 in-lbs (0.9 N-m).

Back plate is isolated from both pins.

Ordering Information

Part Number - Resistance - Tolerance - TCR
 Example: PF2472 10 Ohm 1% 50ppm