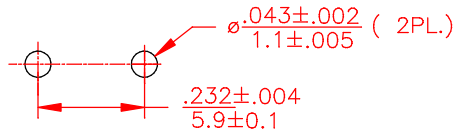
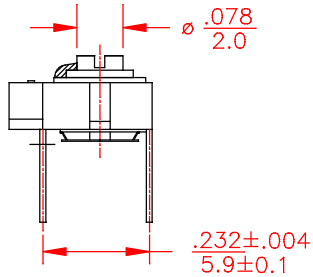
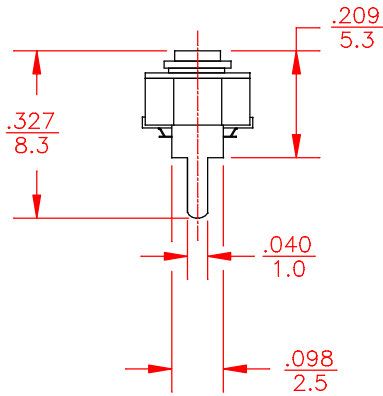
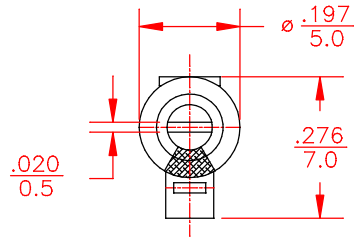


REV	DESCRIPTION	DATE	APP
00	NEW DRAWING	03/22/10	
01	<del>.232±.004</del> WAS <del>.197±.004</del>	06/24/11	D.D.



MOUNTING HOLES LAYOUT

SPECIFICATIONS:

- Capacitance : Cmin 4.2 pF  
Cmax 20.0 pF  $^{+100}_{-0}$  %
- Operating temperature range : - 30°C to + 85°C
- TCC : N450 ± 300 ppm/°C
- Q min at maximum rated capacitance : 300 at 1MHz
- Rated working voltage 250 VDC
- Dielectric withstanding voltage: 500 VDC
- Insulation resistance: 10<sup>14</sup> Megohms min.
- Torque : 35 to 200 g-cm ( 0.49 to 2.8 oz-in)
- Soldering temperature: 265°C max. for 5 seconds
- Vibration: 50 g @ 10-2000 Hz

TOLERANCES: (EXCEPT AS NOTED)				SPRAGUE GOODMAN ELECTRONICS INC. 1700 SHAMES DRIVE WESTBURY, NY 11590			
DECIMAL: ±0.002 in ±0.051 mm		MATERIAL:		SCALE: 4:1		DRAWN BY: R. LEVIN	
FRACTIONAL: 1/64		TITLE: OUTLINE DWG P/N GKU20020				APPROVED: S. GRINBERG	
ANGULAR: 1°		DATE: 03/22/10		DRAWING NUMBER GKU20020		USED FOR: REV. 01	