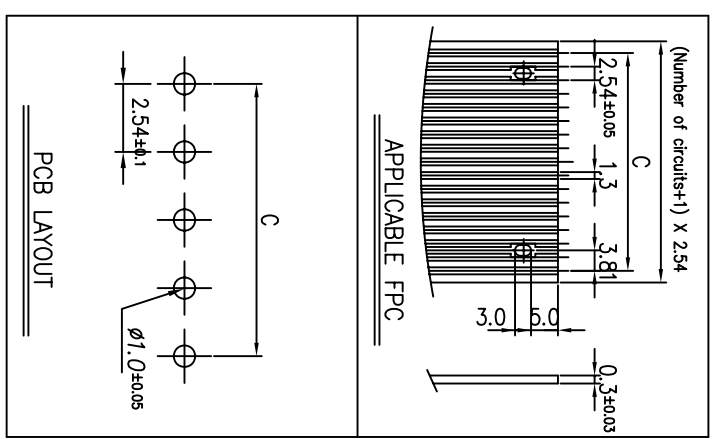
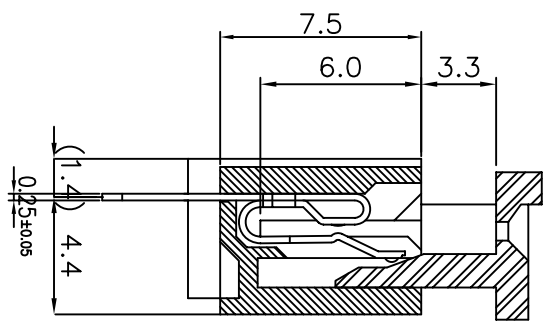
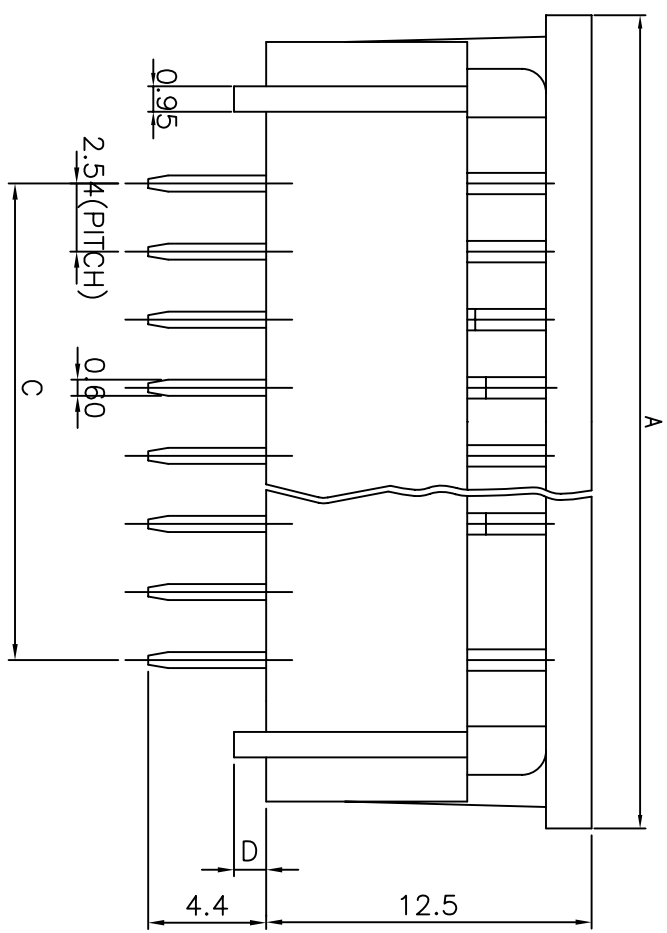
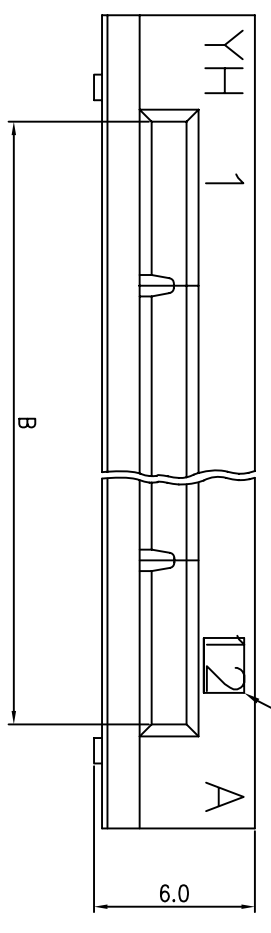


PART NO	A	B	C	D
FCZ254-08S	30.34	23.12	17.78	1.2
FCZ254-09S	32.88	25.66	20.32	
FCZ254-10S	35.42	28.20	22.86	
FCZ254-11S	37.96	30.74	25.40	
FCZ254-12S	40.50	33.28	27.94	
FCZ254-13S	43.04	35.82	30.48	1.2
FCZ254-14S	45.58	38.36	33.02	1.2
FCZ254-16S	50.66	43.44	38.10	1.2
FCZ254-17S	53.20	45.98	40.64	1.2



		YEONHO ELECTRONICS CO., LTD.		TITLE FCZ254-NNS	
SCALE	5/1	DRAWN		DESIGN	
APPD		CHECK		APPD	
SIZE	A3	DWG. NO	FCZ254-00S-S	REV	03
REVISION RECORD		DATE	DR	CHK	
LTR	2				