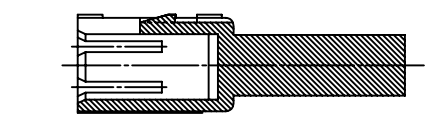
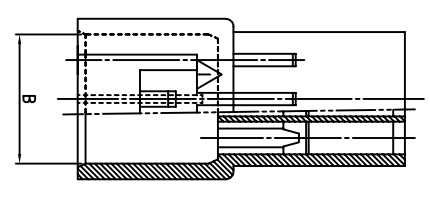
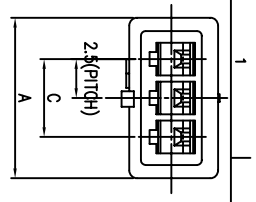
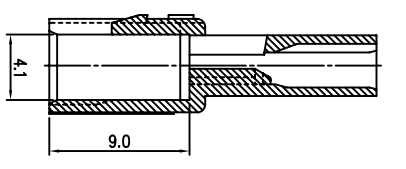
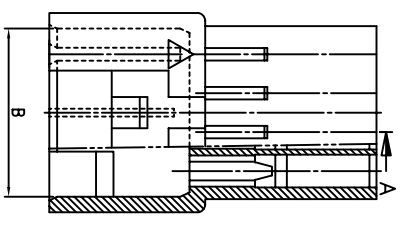
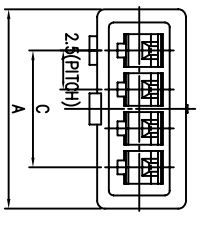


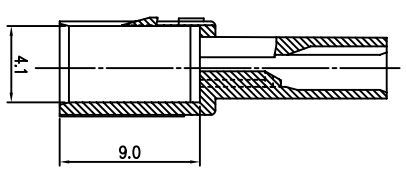
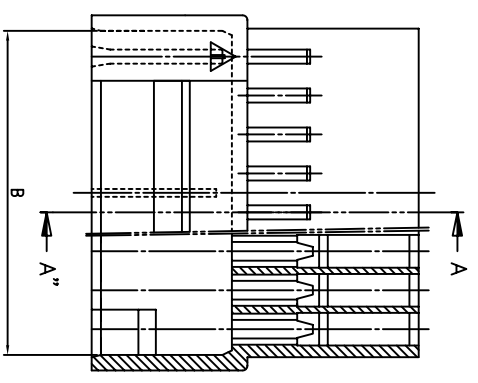
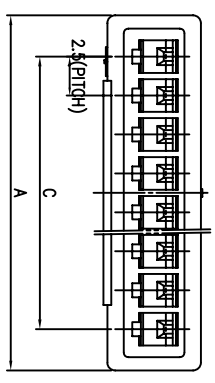
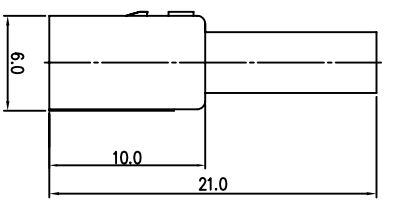
PART NO.	N	A	B	C
SMP250-02	2	7.8	5.8	2.5
SMP250-03	3	10.3	8.3	5.0
SMP250-04	4	12.8	10.8	7.5
SMP250-05	5	15.3	13.3	10.0
SMP250-06	6	17.8	15.8	12.5
SMP250-07	7	20.3	18.3	15.0
SMP250-08	8	22.8	20.8	17.5
SMP250-09	9	25.3	23.3	20.0
SMP250-10	10	27.8	25.8	22.5
SMP250-11	11	30.3	28.3	25.0
SMP250-12	12	32.8	30.8	27.5
SMP250-13	13	35.3	33.3	30.0



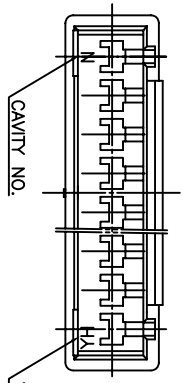
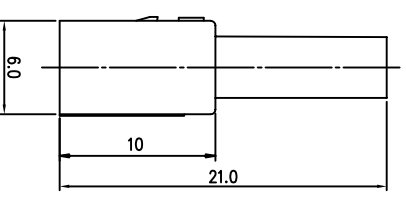
02P, 03P



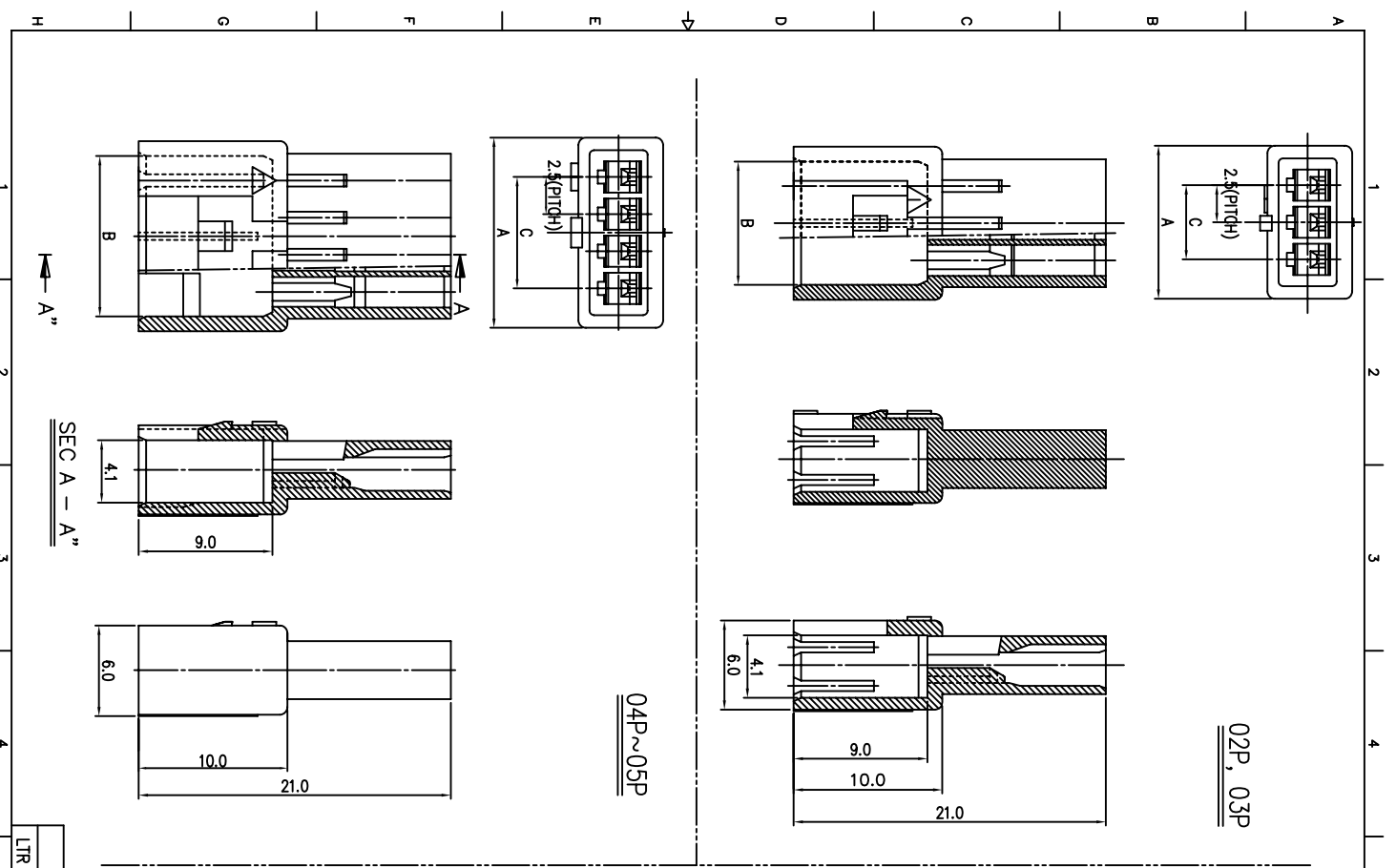
04P~05P



06P~13P



SEC A - A'



LTR	REVISION	RECORD	DR	CHK	ECN

YUWON SYSTEM				TITLE	
SCALE	DRAWN	DESIGN	CHECK	APPD	SIZE
4/1					A2
YEONHO ELECTRONICS CO., LTD.					DWG. NO
					SMP250-00A-S
					REV

