

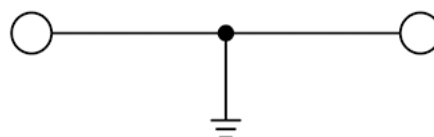
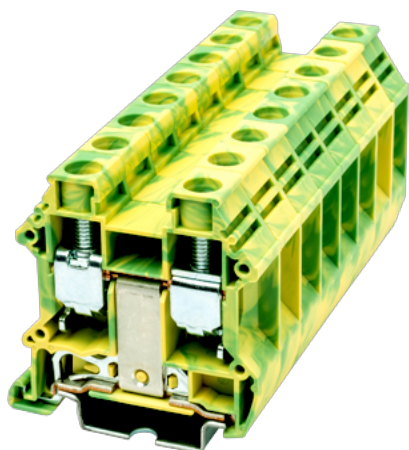
DK16N-PE

DIN

>

:2021-09-08

:1.2



circuit diagram

M5, Green-Yellow (default)

	DIN rail terminal blocks, Grounding terminal blocks
	Grounding terminal blocks
	Green-Yellow (default)
	Screw connection
	Rail mounting
(mm)	12
(mm)	48.3
(mm)	52.15
()	1P
	Single level
	2
	PA
	I
UL 94	V0
	500M at DC 500V

-IEC

(A)		76
(II/2)(KV)		8
(III/2)(KV)		8
(III/3)(KV)		8
(mm ²)		1.5
(mm ²)		25
(mm ²)		1.5
(mm ²)		16
(mm ²)	,	1.5
(mm ²)	,	16
(mm ²)	,	1.5
(mm ²)	,	16
(mm ²) ²	,	1.5
(mm ²) ²	,	2.5
(mm ²) ²	,	2.5
(mm ²) ²	,	3
		M5
Width)(mm)	(Blade thickness x	1.0x5.5
Philips		PH2
(N.m)		2.46
		14~16
		TS-35
		YES
		YES

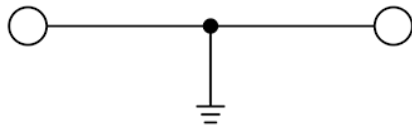
-UL

UL/CUL	AWG	14
UL/CUL	AWG	3
UL/CUL	AWG	14

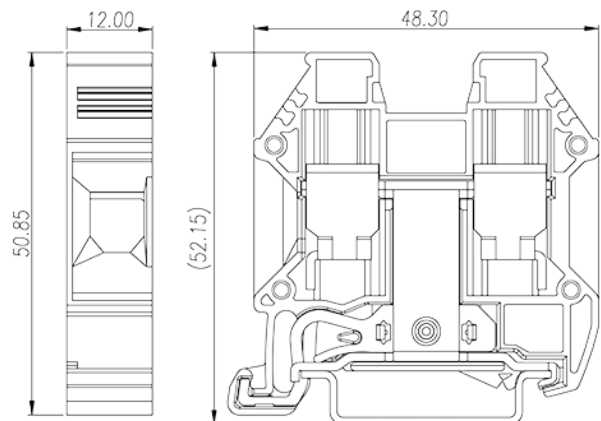
UL/CUL	AWG	3
&		
	(YES or NO)	YES
가	(YES or NO)	YES
		120
		-40

VDE

(mm ²)	1.5~16
(A)	76



circuit diagram



TS-35

DIN-Rail

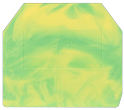
For DP / DP-PE / DK / DK-PE / AK / AK-PE / AK..P series. Material is iron.
Length of 1000mm / 2000mm.



TM49W

Marking Label

For BEST APPLICATION : DP6, DP6-TN, DP6-TR, DP6-PE, DP6-TN-PE, DP6-TR-PE, DPTD6, DPTL6, DPTD6-D05, DPTD6-D06, DK6N, DK6N-TN, DK6N-PE, DKTD6N, DKTD6, DKTL6, PM6N AVAILABLE APPLICATION : DK10N, DK10N-TN, DK10N-PE, DK10-PE, DK16-PE, DK16N-PE, DK16H, DK35H, DK35H-PE, DK50, DK50-PE, DK95-PE, DK95, DK150, DK240 DKM5, DKM6, DKM8, DKM10, DKM12, DKMW8, DKM6-2, DKM8-2, DKM10-2, SS4, SS5, SS6, SS7, SS8, SS11 White color. Using UL94-V2 class of insulation material.



DK16NC-PE

End Cover

For DK16N-PE Green-Yellow (default) Using UL94-V0 class of insulation material.