

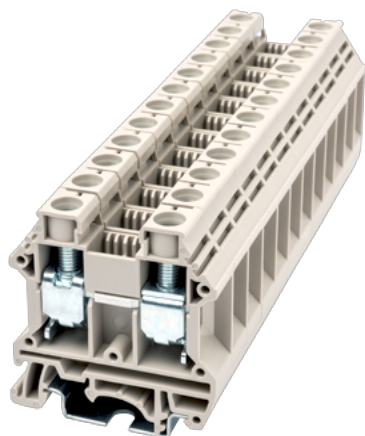
DK16N

DIN

>

:2021-09-08

:1.2



- Without jumper 600V/100A at torque value 2.5~3.4Nm
- With jumper DSS16N:
600V/92A at torque value 2.5Nm;600V/100A at torque value 3.4Nm
- With jumper CSC-16:
600V/88A at torque value 2.5Nm;600V/100A at torque value 3.4Nm



M5, 600V, 100A, Beige (default)

	DIN rail terminal blocks, Feed through terminal blocks
	Feed through terminal blocks
	Beige (default)
	Screw connection
	Rail mounting
(mm)	12
(mm)	48.3
(mm)	50.5
	Single level
	2
	PA
	I
UL 94	V0

-IEC



(V)		1000
(A)		76
(III/2)(V)		1000
(II/2)(KV)		8
(III/2)(KV)		8
(III/3)(KV)		8
(mm ²)		1.5
(mm ²)		16
(mm ²)		1.5
(mm ²)		16
(mm ²)	,	1.5
(mm ²)	,	16
(mm ²)	,	1.5
(mm ²)	,	16
2	(mm ²)	6
2	(mm ²)	6
(mm ²)	2 ,	1.5
(mm ²)	2 ,	10
(mm ²)	2 ,	1.5
(mm ²)	2 ,	10
		M5
Width)(mm)	(Blade thickness x	1.0x5.5
Philips		PH2
(N.m)		3.4
		14~16
		TS-35
		YES
		NO

-UL

(UL/CUL Group B)(X)		600
(UL/CUL Group C)(V)		600
(UL/CUL Group C)(A)		100
UL/CUL	AWG	14
UL/CUL	AWG	3
UL/CUL	AWG	14
UL/CUL	AWG	3

&

(YES or NO)		YES
가 (YES or NO)		YES
		120
		-40

UL

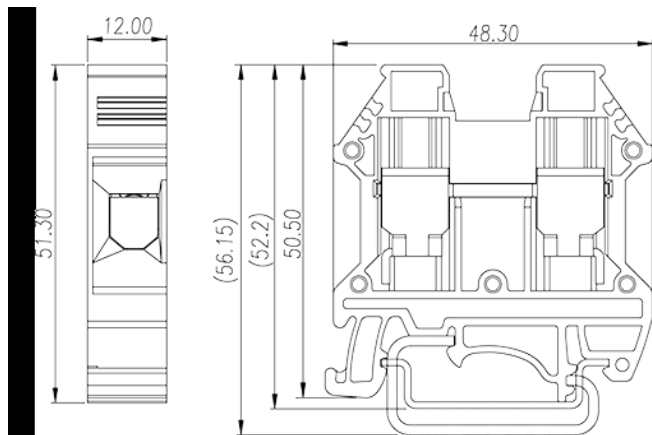
(Group B)(AWG)		14~3
(Group B)(V)		600
(Group B)(A)		100
(Group C)(AWG)		14~3
(Group C)(V)		600
(Group C)(A)		100

CUL

(Group B)(AWG)		14~3
(Group B)(V)		600
(Group B)(A)		100
(Group C)(AWG)		14~3
(Group C)(V)		600
(Group C)(A)		100

VDE

(mm ²)		1.5~16
(V)		1000
(A)		76



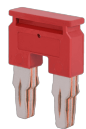
- Without jumper 600V/100A at torque value 2.5~3.4Nm
- With jumper DSS16N:
600V/92A at torque value 2.5Nm; 600V/100A at torque value 3.4Nm
- With jumper CSC-16:
600V/88A at torque value 2.5Nm; 600V/100A at torque value 3.4Nm



TS-35

DIN-Rail

For DP / DP-PE / DK / DK-PE / AK / AK-PE / AK..P series. Material is iron.
Length of 1000mm / 2000mm.



DSS16N-02PN

Plug-in bridge

For DK16N. Red color. Using UL94-V0 class of insulation material.



SS3

End Bracket

For TS-35, TS-35/15 rails. Material is steel then galvanized on the surface.

DKNSPS-004

Partition Plate



For DK35N / DK35H. Grey color. Using UL94-V0 class of insulation material.



CSC-16XXP

Insertion Bridge

For DK16H / DK16N. Grey color. Using UL94-V0 class of insulation material.



TM50W

Marking Label

For BEST APPLICATION : DP10, DP10-TN, DP10-PE, DP10-TN-PE

AVAILABLE APPLICATION : DP16, DP16-PE White color. Using UL94-V2 class of insulation material.