

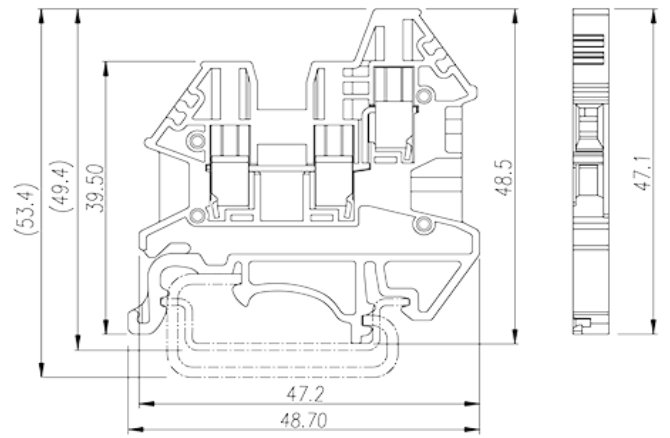
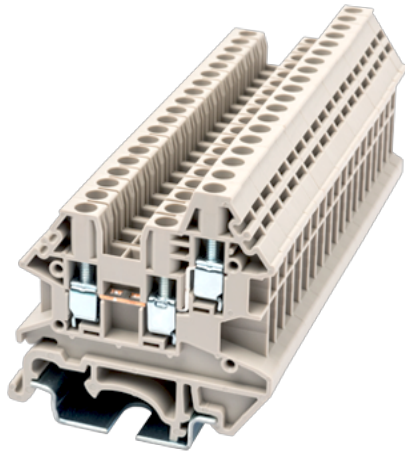
DK2.5N-TN

DIN

>

:2021-09-08

:1.2



M2.5, 600V, 20A, Beige (default)

| | |
|-------|--|
| | DIN rail terminal blocks, Feed through terminal blocks |
| | Feed through terminal blocks |
| | Beige (default) |
| | Screw connection |
| | Rail mounting |
| (mm) | 5.1 |
| (mm) | 48.7 |
| (mm) | 48.5 |
| | Double level |
| | 3 |
| | PA |
| | I |
| UL 94 | V0 |

-IEC



| | |
|-------------------------------|---------|
| (V) | 1000 |
| (A) | 24 |
| (III/2)(V) | 1000 |
| (II/2)(KV) | 8 |
| (III/2)(KV) | 8 |
| (III/3)(KV) | 8 |
| (mm ²) | 0.14 |
| (mm ²) | 4 |
| (mm ²) | 0.14 |
| (mm ²) | 2.5 |
| (mm ²) , , | 0.25 |
| (mm ²) , , | 2.5 |
| (mm ²) , , | 0.25 |
| (mm ²) , , | 2.5 |
| 2 (mm ²) | 1.5 |
| 2 (mm ²) | 1.5 |
| (mm ²) 2 , , | 0.25 |
| (mm ²) 2 , , | 1 |
| 2 (mm ²) , , | 0.5 |
| 2 (mm ²) , , | 1 |
| | M2.5 |
| Width)(mm) (Blade thickness x | 0.6x3.5 |
| Philips | PH1 |
| (N.m) | 0.39 |
| | 9~11 |
| | TS-35 |
| | YES |
| | NO |

-UL

| | |
|---------------------|------|
| (UL/CUL Group B)(X) | 6000 |
| (UL/CUL Group C)(V) | 600 |
| (UL/CUL Group C)(A) | 20 |
| UL/CUL AWG | 22 |
| UL/CUL AWG | 12 |
| UL/CUL AWG | 22 |
| UL/CUL AWG | 12 |

&

| | |
|---------------|-----|
| (YES or NO) | YES |
| 가 (YES or NO) | YES |
| | 120 |
| | -40 |

UL

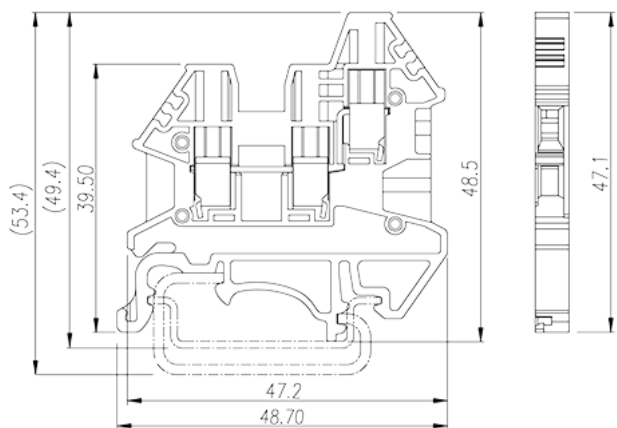
| | |
|----------------|-------|
| (Group B)(AWG) | 22~12 |
| (Group B)(V) | 600 |
| (Group B)(A) | 20 |
| (Group C)(AWG) | 22~12 |
| (Group C)(V) | 600 |
| (Group C)(A) | 20 |

CUL

| | |
|----------------|-------|
| (Group B)(AWG) | 22~12 |
| (Group B)(V) | 600 |
| (Group B)(A) | 20 |
| (Group C)(AWG) | 22~12 |
| (Group C)(V) | 600 |
| (Group C)(A) | 20 |

VDE

| | |
|--------------------|----------|
| (mm ²) | 0.14~2.5 |
| (V) | 1000 |
| (A) | 24 |



circuit diagram



TS-35

DIN-Rail

For DP / DP-PE / DK / DK-PE / AK / AK-PE / AK..P series. Material is iron. Length of 1000mm / 2000mm.



DKNSPS-001

Partition Plate

For DK2.5N / DK4N. Grey color. Using UL94-V0 class of insulation material.



DSS2.5N-XXP

Plug-in bridge

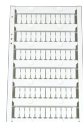
For DK2.5N/DK2.5D/DK2.5N-TN/DK2.5N-TR/DKK2.5N Red color. Using UL94-V0 class of insulation material.

CSC-2.5XXPN



Insertion Bridge

For DK2.5N/DK2.5N-TN/DK2.5N-TR/DK2.5D/DKK2.5N. Gray color. Using UL94-V0 class of insulation material.



TM47W

Marking Label

For BEST APPLICATION : DP2.5, DP2.5-TN, DP2.5-TR, DP2.5-PE, DP2.5-TN-PE, DP2.5-TR-PE, DP2.5/1P, DK2.5N, DK2.5N-TN, DK2.5N-TR, DKK2.5N, DKK2.5N-PV, DK2.5N-PE, DK2.5N-TN-PE, DK2.5N-TR-PE, DK2.5N-TP, DK2.5N-TG, DK2.5N-CP, DKK2.5N-TP, DKK2.5N-TG, DKK2.5N-CP, PM2.5N AVAILABLE APPLICATION : DK2.5-PE, DKES1.5, DKES1.5-XXP, DKES1.5M-XXP White color. Using UL94-V2 class of insulation material.



DK2.5NC-TN

End Cover

For DK2.5N-TN / DK4N-TN Grey color. Using UL94-V0 class of insulation material.



0175L1

Lever

For DK2.5N, DK2.5N-TN, DK2.5N-TR, DKK2.5N. Orange color. Using UL94-V0 class of insulation material.



0175-T002

Test plug

For DK2.5N, DK2.5N-TN, DK2.5N-TR, DKK2.5N, DKK2.5N-PV. Red color. Using UL94-V0 class of insulation material.