

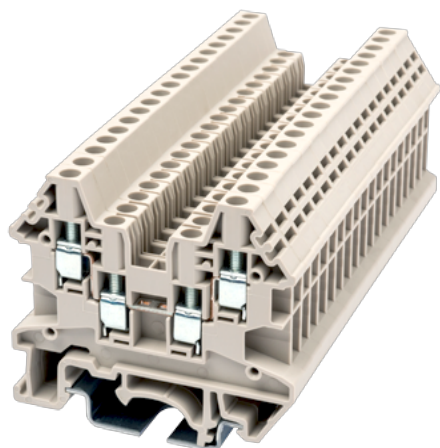
DK2.5N-TR

DIN

>

:2021-09-08

:1.2



circuit diagram

M2.5, 600V, 20A, Beige (default)

	DIN rail terminal blocks, Feed through terminal blocks
	Feed through terminal blocks
	Beige (default)
	Screw connection
	Rail mounting
(mm)	5.1
(mm)	54.8
(mm)	48.5
	Double level
	4
	PA
	I
UL 94	V0

-IEC



(V)		1000
(A)		24
(III/2)(V)		1000
(II/2)(KV)		8
(III/2)(KV)		8
(III/3)(KV)		8
(mm ²)		0.14
(mm ²)		4
(mm ²)		0.14
(mm ²)		2.5
(mm ²)	,	0.25
(mm ²)	,	2.5
(mm ²)	,	0.25
(mm ²)	,	2.5
2	(mm ²)	1.5
2	(mm ²)	1.5
(mm ²)	2 ,	0.25
(mm ²)	2 ,	1
2	(mm ²) ,	0.5
2	(mm ²) ,	1
		M2.5
Width)(mm)	(Blade thickness x	0.6x3.5
Philips		PH0
(N.m)		0.39
		9~11
		TS-35
		YES
		NO

-UL

(UL/CUL Group B)(X)		6000
(UL/CUL Group C)(V)		600
(UL/CUL Group C)(A)		20
UL/CUL	AWG	22
UL/CUL	AWG	12
UL/CUL	AWG	22
UL/CUL	AWG	12

&

(YES or NO)		YES
가 (YES or NO)		YES
		120
		-40

UL

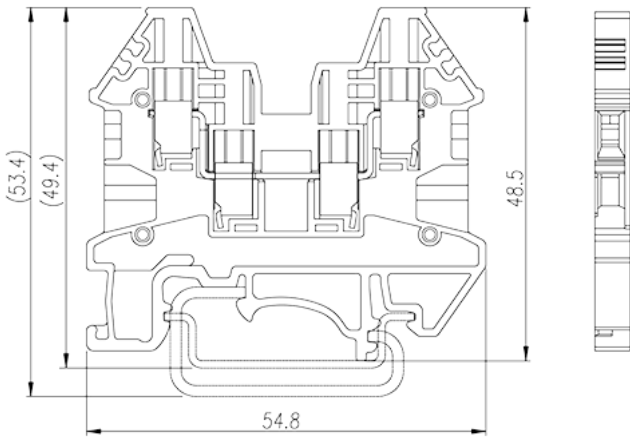
(Group B)(AWG)		22~12
(Group B)(V)		600
(Group B)(A)		20
(Group C)(AWG)		22~12
(Group C)(V)		600
(Group C)(A)		20

CUL

(Group B)(AWG)		22~12
(Group B)(V)		600
(Group B)(A)		20
(Group C)(AWG)		22~12
(Group C)(V)		600
(Group C)(A)		20

VDE

(mm ²)		0.14~2.5
(V)		1000
(A)		24



circuit diagram



TS-35

DIN-Rail

For DP / DP-PE / DK / DK-PE / AK / AK-PE / AK..P series. Material is iron. Length of 1000mm / 2000mm.



DKNSPS-001

Partition Plate

For DK2.5N / DK4N. Grey color. Using UL94-V0 class of insulation material.



DSS2.5N-XXP

Plug-in bridge

For DK2.5N/DK2.5D/DK2.5N-TN/DK2.5N-TR/DKK2.5N Red color. Using UL94-V0 class of insulation material.

CSC-2.5XXPN



Insertion Bridge

For DK2.5N/DK2.5N-TN/DK2.5N-TR/DK2.5D/DKK2.5N. Gray color. Using UL94-V0 class of insulation material.



TM47W

Marking Label

For BEST APPLICATION : DP2.5, DP2.5-TN, DP2.5-TR, DP2.5-PE, DP2.5-TN-PE, DP2.5-TR-PE, DP2.5/1P, DK2.5N, DK2.5N-TN, DK2.5N-TR, DKK2.5N, DKK2.5N-PV, DK2.5N-PE, DK2.5N-TN-PE, DK2.5N-TR-PE, DK2.5N-TP, DK2.5N-TG, DK2.5N-CP, DKK2.5N-TP, DKK2.5N-TG, DKK2.5N-CP, PM2.5N AVAILABLE APPLICATION : DK2.5-PE, DKES1.5, DKES1.5-XXP, DKES1.5M-XXP White color. Using UL94-V2 class of insulation material.



DK2.5NC-TR

End Cover

For DK2.5N-TR / DK4N-TR Grey color. Using UL94-V0 class of insulation material.



0175L1

Lever

For DK2.5N, DK2.5N-TN, DK2.5N-TR, DKK2.5N. Orange color. Using UL94-V0 class of insulation material.



0175-T002

Test plug

For DK2.5N, DK2.5N-TN, DK2.5N-TR, DKK2.5N, DKK2.5N-PV. Red color. Using UL94-V0 class of insulation material.