

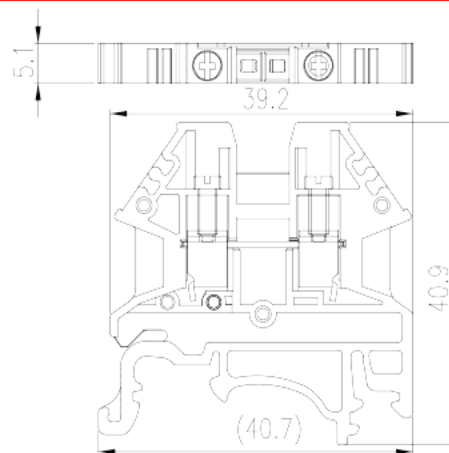
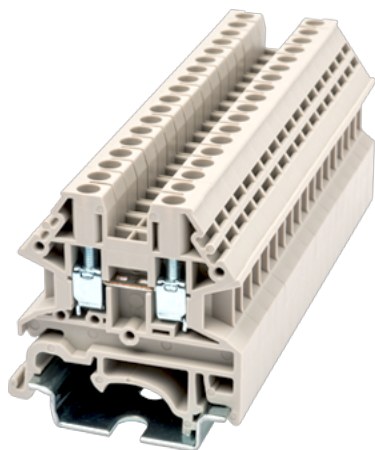
DK2.5N

DIN

>

:2021-09-08

:1.2



M2.5, 600V, 20A, Beige (default)

	DIN rail terminal blocks, Feed through terminal blocks
	Feed through terminal blocks
	Beige (default)
	Screw connection
	Rail mounting
(mm)	5.1
(mm)	40.7
(mm)	39.6
	Single level
	2
	PA
	I
UL 94	V0

-IEC



(V)		1000
(A)		24
(III/2)(V)		1000
(II/2)(KV)		8
(III/2)(KV)		8
(III/3)(KV)		8
(mm ²)		0.34
(mm ²)		2.5
(mm ²)		0.34
(mm ²)		2.5
(mm ²)	,	0.34
(mm ²)	,	2.5
(mm ²)	,	0.34
(mm ²)	,	2.5
2	(mm ²)	2.5
2	(mm ²)	2.5
(mm ²)	2 ,	0.34
(mm ²)	2 ,	1
2	(mm ²) ,	0.5
2	(mm ²) ,	1
		M2.5
Width)(mm)	(Blade thickness x	0.6x3.5
Philips		PH1
(N.m)		0.4
		9~11
		TS-35
		YES
		NO

-UL



(UL/CUL Group B)(X)		600
(UL/CUL Group C)(V)		600
(UL/CUL Group C)(A)		20
(UL/CUL Group D)(V)		600
(UL/CUL Group D)(A)		20
UL/CUL	AWG	22
UL/CUL	AWG	12
UL/CUL	AWG	22
UL/CUL	AWG	12

&

(YES or NO)		YES
가 (YES or NO)		YES
		120
		-40

UL

(Group B)(AWG)		22~12
(Group B)(V)		600
(Group B)(A)		20
(Group C)(AWG)		22~12
(Group C)(V)		600
(Group C)(A)		20
(Group D)(AWG)		22~12
(Group D)(V)		600
(Group D)(A)		20

CUL

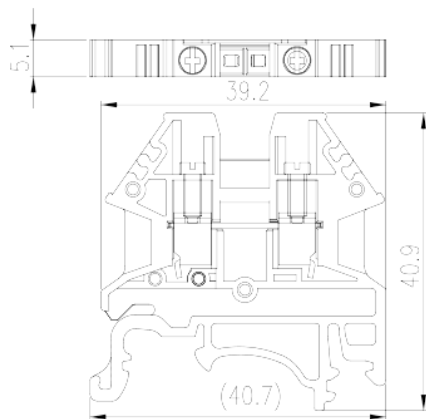
(Group B)(AWG)		22~12
(Group B)(V)		600
(Group B)(A)		20
(Group C)(AWG)		22~12
(Group C)(V)		600
(Group C)(A)		20

(Group D)(AWG)	22~12
(Group D)(V)	600
(Group D)(A)	20

VDE

(mm ²)	0.34~2.5
(V)	1000
(A)	24

(mm ²)	0.34~2.5
(V)	630
(A)	24



TS-35



DIN-Rail

For DP / DP-PE / DK / DK-PE / AK / AK-PE / AK..P series. Material is iron.
Length of 1000mm / 2000mm.



DKNSPS-001

Partition Plate

For DK2.5N / DK4N. Grey color. Using UL94-V0 class of insulation material.



DKNSPS-005

Partition Plate

For DK2.5N / DK4N Grey color. Using UL94-V0 class of insulation material.



DSS2.5N-XXP

Plug-in bridge

For DK2.5N/DK2.5D/DK2.5N-TN/DK2.5N-TR/DKK2.5N Red color. Using UL94-V0 class of insulation material.



DK4NC

End cover

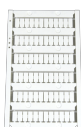
For DK2.5N / DK4N / DK2.5N-TP / DK2.5N-TG / DK2.5N-CP / DK4N-TP / DK4N-TG / DK4N-CP Grey color. Using UL94-V0 class of insulation material.



CSC-2.5XXPN

Insertion Bridge

For DK2.5N/DK2.5N-TN/DK2.5N-TR/DK2.5D/DKK2.5N. Gray color. Using UL94-V0 class of insulation material.



TM47W

Marking Label

For BEST APPLICATION : DP2.5, DP2.5-TN, DP2.5-TR, DP2.5-PE, DP2.5-TN-PE, DP2.5-TR-PE, DP2.5/1P, DK2.5N, DK2.5N-TN, DK2.5N-TR, DKK2.5N, DKK2.5N-PV, DK2.5N-PE, DK2.5N-TN-PE, DK2.5N-TR-PE, DK2.5N-TP, DK2.5N-TG, DK2.5N-CP, DKK2.5N-TP, DKK2.5N-TG, DKK2.5N-CP, PM2.5N AVAILABLE APPLICATION : DK2.5-PE, DKES1.5, DKES1.5-XXP, DKES1.5M-XXP White color. Using UL94-V2 class of insulation material.

**0175L1**

Lever

For DK2.5N, DK2.5N-TN, DK2.5N-TR, DKK2.5N. Orange color. Using UL94-V0 class of insulation material.

**0175-T002**

Test plug

For DK2.5N, DK2.5N-TN, DK2.5N-TR, DKK2.5N, DKK2.5N-PV. Red color. Using UL94-V0 class of insulation material.