

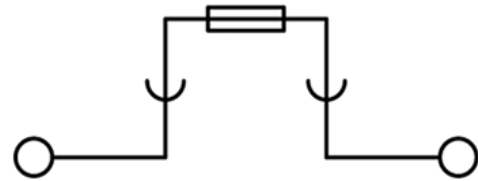
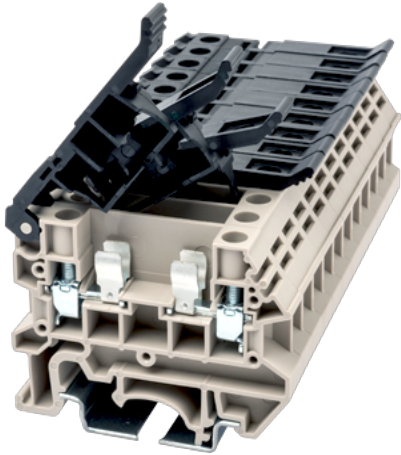
DK4N-TF (5X20)

DIN

>

:2021-09-08

:1.2



circuit diagram

M3, 600V, 12A, Beige (default)

| | |
|-------|--|
| | DIN rail terminal blocks, Fuse terminal blocks |
| | Fuse terminal blocks |
| | Beige (default) |
| | Screw connection |
| | Rail mounting |
| (mm) | 8 |
| (mm) | 53.3 |
| (mm) | 42.7 |
| | Single level |
| | 2 |
| | PA |
| | I |
| UL 94 | V0 |
| | -IEC |
| (V) | 800 |



| | |
|-------------------------------------|---------|
| (A) | 12 |
| (III/2)(V) | 800 |
| (II/2)(KV) | 6 |
| (III/2)(KV) | 6 |
| (III/3)(KV) | 6 |
| (mm ²) | 0.14 |
| (mm ²) | 4 |
| (mm ²) | 0.14 |
| (mm ²) | 4 |
| (mm ²) , , | 0.25 |
| (mm ²) , , | 4 |
| (mm ²) , , | 0.25 |
| (mm ²) , , | 4 |
| 2 (mm ²) | 1.5 |
| 2 (mm ²) | 1.5 |
| (mm ²) ² , , | 0.2 |
| (mm ²) ² , , | 1.5 |
| 2 (mm ²) , , | 0.5 |
| 2 (mm ²) , , | 1.5 |
| | M3 |
| Width)(mm) (Blade thickness x | 0.6x3.5 |
| Philips | PH1 |
| (N.m) | 0.53 |
| | 8~10 |
| | TS-35 |
| | YES |
| | NO |
| -UL | |
| (UL/CUL Group B)(V) | 600 |



| | |
|---------------------|-----|
| (UL/CUL Group B)(A) | 12 |
| (UL/CUL Group C)(V) | 600 |
| (UL/CUL Group C)(A) | 12 |
| UL/CUL AWG | 22 |
| UL/CUL AWG | 10 |
| UL/CUL AWG | 22 |
| UL/CUL AWG | 10 |

&

| | |
|---------------|-----|
| (YES or NO) | YES |
| 가 (YES or NO) | YES |
| | 120 |
| | -40 |

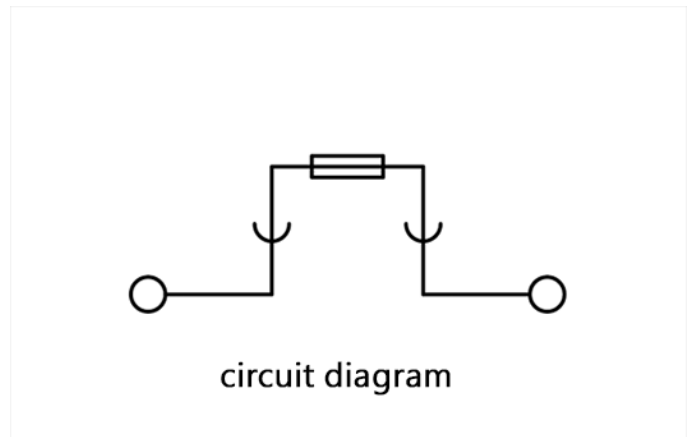
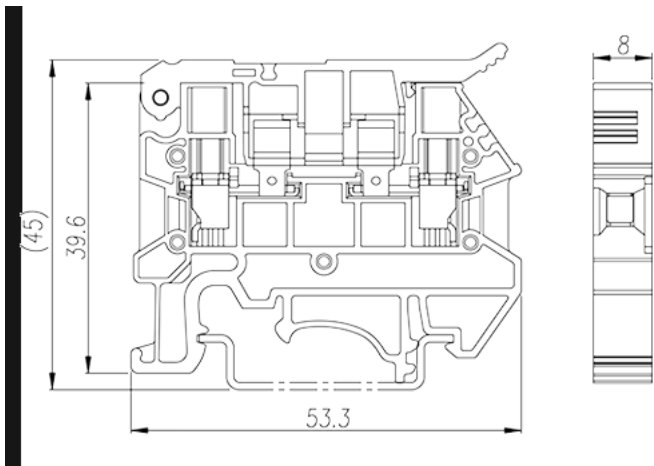
UL

| | |
|----------------|-------|
| (Group B)(AWG) | 22~10 |
| (Group B)(V) | 600 |
| (Group B)(A) | 12 |
| (Group C)(AWG) | 22~10 |
| (Group C)(V) | 600 |
| (Group C)(A) | 12 |

CUL

| | |
|----------------|-------|
| (Group B)(AWG) | 22~10 |
| (Group B)(V) | 600 |
| (Group B)(A) | 12 |
| (Group C)(AWG) | 22~10 |
| (Group C)(V) | 600 |
| (Group C)(A) | 12 |

| | |
|--|--|
| | |
|--|--|



TS-35

DIN-Rail

For DP / DP-PE / DK / DK-PE / AK / AK-PE / AK..P series. Material is iron.
Length of 1000mm / 2000mm.



CSC-6XXPN

Insertion Bridge

For DK4-TF (5X20) / DK4-TFL .. (5X20). Grey color. Using UL94-V0 class of insulation material.



FUK6.3A-01

Fuse

For DK4N-TF(5X20), DK4-TFL(5X20), DKK4-TF(5X20), DKK10-TF(5X20), DP4-TFU(5X20), DP-FU(5X20)



TM49W

Marking Label

DP6-TR-PE, DPTD6, DPTL6, DPTD6-D05, DPTD6-D06, DK6N, DK6N-TN, DK6N-PE, DKTD6N, DKTD6, DKTL6, PM6N AVAILABLE APPLICATION : DK10N, DK10N-TN, DK10N-PE, DK10-PE, DK16-PE, DK16N-PE, DK16H, DK35H, DK35H-PE, DK50, DK50-PE, DK95-PE, DK95, DK150, DK240 DKM5, DKM6, DKM8, DKM10, DKM12, DKMW8, DKM6-2, DKM8-2, DKM10-2, SS4, SS5, SS6, SS7, SS8, SS11 White color. Using UL94-V2 class of insulation material.
For BEST APPLICATION : DP6, DP6-TN, DP6-TR, DP6-PE, DP6-TN-PE,



DK4NC-TF

End Cover

For DK4N-TF(5x20) / DK4N-TFL(5x20) Grey color. Using UL94-V0 class of insulation material.



FUK1A-001

Fuse

For DK4N-TF(5X20), DK4-TFL(5X20), DKK4-TF(5X20), DKK10-TF(5X20), DP4-TFU(5X20), DP-FU(5X20)



FUK1A-002

Fuse

For DK4N-TF(5X20), DK4-TFL(5X20), DKK4-TF(5X20), DKK10-TF(5X20), DP4-TFU(5X20), DP-FU(5X20)