

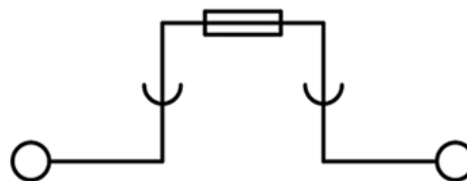
DK4N-TFL (5X20)

DIN

>

:2021-09-08

:1.2



circuit diagram

M3, 600V, 12A, Beige (default)

	DIN rail terminal blocks, Fuse terminal blocks
	Fuse terminal blocks
	Beige (default)
	Screw connection
	Rail mounting
(mm)	8
(mm)	53.3
(mm)	42.7
	Single level
	2
	PA
	I
UL 94	V0

-IEC

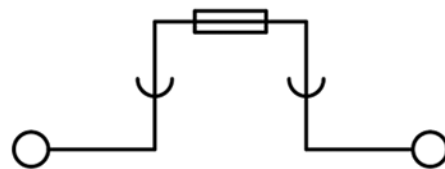
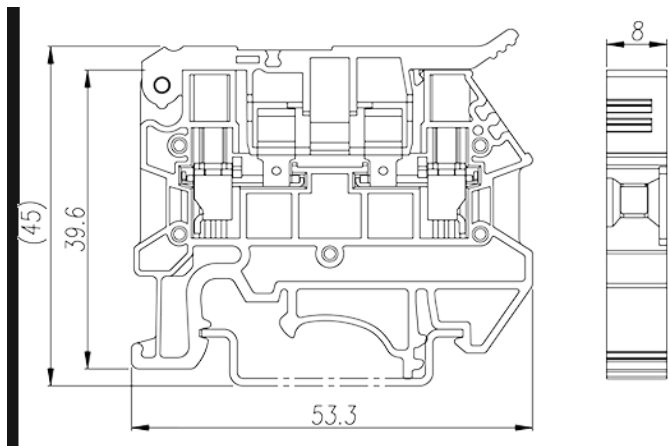
(V)		800
(A)		12
(III/2)(V)		800
(II/2)(KV)		6
(III/2)(KV)		6
(III/3)(KV)		6
(mm ²)		0.14
(mm ²)		4
(mm ²)		0.14
(mm ²)		4
(mm ²)	,	0.25
(mm ²)	,	4
(mm ²)	,	0.25
(mm ²)	,	4
2	(mm ²)	1.5
2	(mm ²)	1.5
(mm ²) ²	,	0.2
(mm ²) ²	,	1.5
2	(mm ²)	0.5
2	(mm ²)	1.5
		M3
Width)(mm)	(Blade thickness x	0.6x3.5
Philips		PH1
(N.m)		0.53
		8~10
		TS-35
		YES
		NO

-UL

(UL/CUL Group B)(V)		600
(UL/CUL Group B)(A)		12
(UL/CUL Group C)(V)		600
(UL/CUL Group C)(A)		12
UL/CUL	AWG	22
UL/CUL	AWG	10
UL/CUL	AWG	22
UL/CUL	AWG	10

&

(YES or NO)		YES
가 (YES or NO)		YES
		120
		-40



circuit diagram





TS-35

DIN-Rail

For DP / DP-PE / DK / DK-PE / AK / AK-PE / AK..P series. Material is iron.
Length of 1000mm / 2000mm.



CSC-6XXPN

Insertion Bridge

For DK4-TF (5X20) / DK4-TFL .. (5X20). Grey color. Using UL94-V0 class of insulation material.



FUK6.3A-01

Fuse

For DK4N-TF(5X20), DK4-TFL(5X20), DKK4-TF(5X20), DKK10-TF(5X20), DP4-TFU(5X20), DP-FU(5X20)



TM49W

Marking Label

For BEST APPLICATION : DP6, DP6-TN, DP6-TR, DP6-PE, DP6-TN-PE, DP6-TR-PE, DPTD6, DPTL6, DPTD6-D05, DPTD6-D06, DK6N, DK6N-TN, DK6N-PE, DKTD6N, DKTD6, DKTL6, PM6N AVAILABLE APPLICATION : DK10N, DK10N-TN, DK10N-PE, DK10-PE, DK16-PE, DK16N-PE, DK16H, DK35H, DK35H-PE, DK50, DK50-PE, DK95-PE, DK95, DK150, DK240 DKM5, DKM6, DKM8, DKM10, DKM12, DKMW8, DKM6-2, DKM8-2, DKM10-2, SS4, SS5, SS6, SS7, SS8, SS11 White color. Using UL94-V2 class of insulation material.



DK4NC-TF

End Cover

For DK4N-TF(5x20) / DK4N-TFL(5x20) Grey color. Using UL94-V0 class of insulation material.