

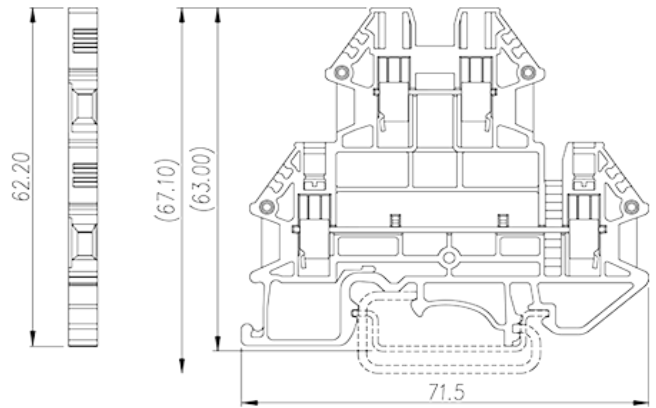
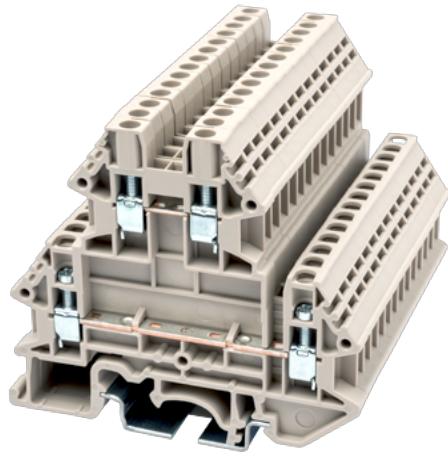
DKK2.5N

DIN

>

:2021-09-08

:1.2



M2.5, 600V, 20A, Beige (default)

	DIN rail terminal blocks, Bi level feed through terminal blocks
	Bi level feed through terminal blocks
	Beige (default)
	Screw connection
	Rail mounting
(mm)	5.1
(mm)	71.5
(mm)	63
	Double level
	4
	PA
	I
UL 94	V0

-IEC



(V)	800
(A)	24
(III/2)(V)	400
(II/2)(KV)	8
(III/2)(KV)	8
(III/3)(KV)	8
(mm ²)	0.34
(mm ²)	4
(mm ²)	0.34
(mm ²)	2.5
(mm ²) , ,	0.34
(mm ²) , ,	2.5
(mm ²) , ,	0.34
(mm ²) , ,	2.5
2 (mm ²)	1.5
2 (mm ²)	1.5
(mm ²) 2 , ,	0.34
(mm ²) 2 , ,	1.5
2 (mm ²) , ,	0.5
2 (mm ²) , ,	1
	M2.5
Width)(mm) (Blade thickness x	0.6x3.5
Philips	PH1
(N.m)	0.4
	9~11
	TS-35
	YES
	NO

-UL

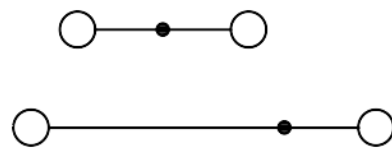
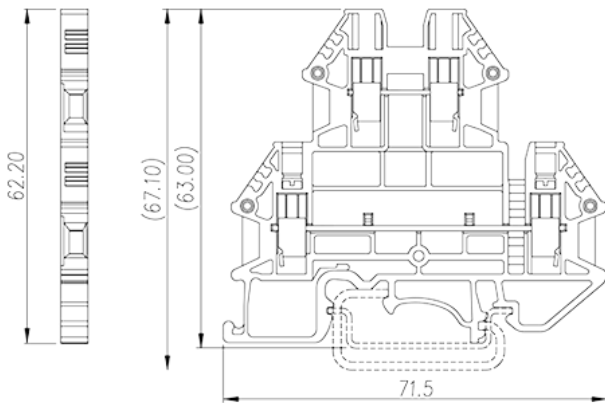
(UL/CUL Group B)(※)		6000
UL/CUL	AWG	22
UL/CUL	AWG	12
UL/CUL	AWG	22
UL/CUL	AWG	12







&

(YES or NO)		YES
가	(YES or NO)	YES
		120
		-40

VDE

(mm ²)	0.34~2.5
(V)	800
(A)	24



	<p>TS-35 DIN-Rail For DP / DP-PE / DK / DK-PE / AK / AK-PE / AK..P series. Material is iron. Length of 1000mm / 2000mm.</p>
	<p>DKNSPS-001 Partition Plate For DK2.5N / DK4N. Grey color. Using UL94-V0 class of insulation material.</p>
	<p>DSS2.5N-XXP Plug-in bridge For DK2.5N/DK2.5D/DK2.5N-TN/DK2.5N-TR/DKK2.5N Red color. Using UL94-V0 class of insulation material.</p>
	<p>CSC-2.5XXPN Insertion Bridge For DK2.5N/DK2.5N-TN/DK2.5N-TR/DK2.5D/DKK2.5N. Gray color. Using UL94-V0 class of insulation material.</p>
	<p>TM47W Marking Label For BEST APPLICATION : DP2.5, DP2.5-TN, DP2.5-TR, DP2.5-PE, DP2.5-TN-PE, DP2.5-TR-PE, DP2.5/1P, DK2.5N, DK2.5N-TN, DK2.5N-TR, DKK2.5N, DKK2.5N-PV, DK2.5N-PE, DK2.5N-TN-PE, DK2.5N-TR-PE, DK2.5N-TP, DK2.5N-TG, DK2.5N-CP, DKK2.5N-TP, DKK2.5N-TG, DKK2.5N-CP, PM2.5N AVAILABLE APPLICATION : DK2.5-PE, DKES1.5, DKES1.5-XXP, DKES1.5M-XXP White color. Using UL94-V2 class of insulation material.</p>
	<p>DKK2.5NC End Cover For DKK2.5N / DKK4N / DKK2.5N-PV / DKK4N-PV / DKK2.5N-TP / DKK2.5N-TG / DKK2.5N-CP / DKK4N-TP / DKK4N-TG / DKK4N-CP Grey color. Using UL94-V0 class of insulation material.</p>

**0175L1**

Lever

For DK2.5N, DK2.5N-TN, DK2.5N-TR, DKK2.5N. Orange color. Using UL94-V0 class of insulation material.

**0175-T002**

Test plug

For DK2.5N, DK2.5N-TN, DK2.5N-TR, DKK2.5N, DKK2.5N-PV. Red color. Using UL94-V0 class of insulation material.