

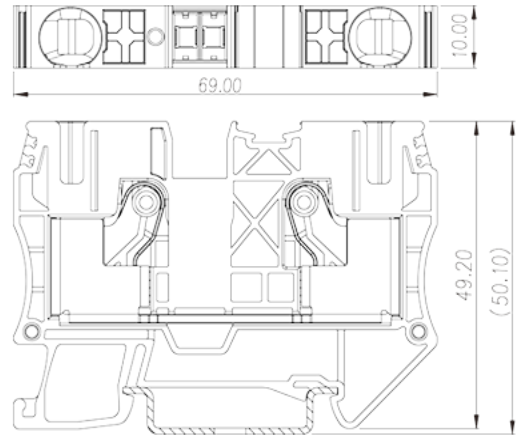
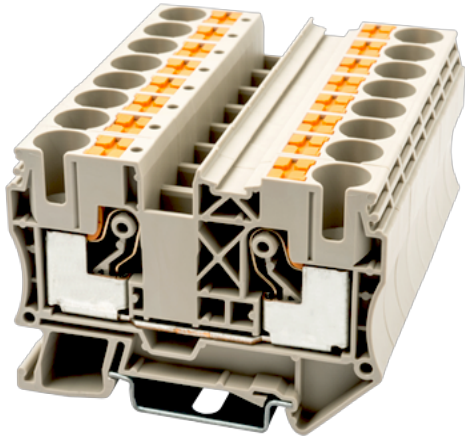
# DP10

DIN

>

:2021-09-08

:1.1



600V, 60A, Beige (default)

	Single level Feed-Through Terminal Block, Push-in Design
	Single level Feed Through Terminal Block
	Beige (default)
	Push-in Design
	Rail Mounting
(mm)	69
(mm)	10
(mm)	49.2
( )	1P
	Single level
	2
	PA
	I
UL 94	V0
	500M at DC 500V

**-IEC**

(V)	1000
(A)	57
(III/3)(V)	1000
(III/3)(KV)	8
(mm <sup>2</sup> )	0.5
(mm <sup>2</sup> )	16
(mm <sup>2</sup> )	0.5
(mm <sup>2</sup> )	10
(mm <sup>2</sup> ) , ,	0.5
(mm <sup>2</sup> ) , ,	10
(mm <sup>2</sup> ) , ,	0.5
(mm <sup>2</sup> ) , ,	10
<sup>2</sup> (mm <sup>2</sup> ) , ,	1.5
<sup>2</sup> (mm <sup>2</sup> ) , ,	4
Width)(mm) (Blade thickness x	1.0x5.5
	18
	TS-35
	YES
	NO

**-UL**

(UL/CUL Group B)(V)	600
(UL/CUL Group B)(A)	60
(UL/CUL Group C)(V)	600
(UL/CUL Group C)(A)	60
UL/CUL AWG	20
UL/CUL AWG	6
UL/CUL AWG	20
UL/CUL AWG	6

&amp;

(YES or NO)	YES
가 (YES or NO)	YES
	120
	-40

UL

(Group B)(AWG)	20~6
(Group B)(V)	600
(Group B)(A)	60
(Group C)(AWG)	20~6
(Group C)(V)	600
(Group C)(A)	60

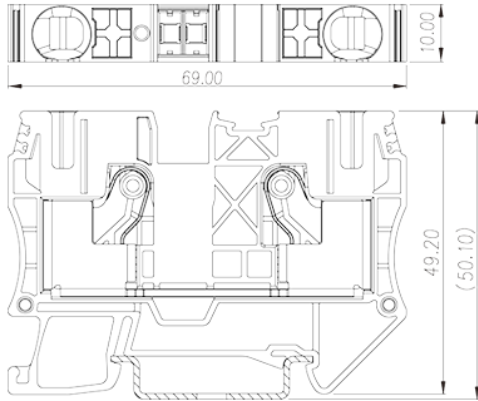
CUL

(Group B)(AWG)	20~6
(Group B)(V)	600
(Group B)(A)	60
(Group C)(AWG)	20~6
(Group C)(V)	600
(Group C)(A)	60

VDE

(mm <sup>2</sup> )	0.5~10
(V)	1000
(A)	57

--	--



### TS-35C

DIN rail end cap

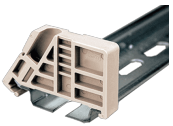
For TS-35 rail. Black color. Using UL94-V2 class of insulation material.



### TS-35

DIN-Rail

For DP / DP-PE / DK / DK-PE / AK / AK-PE / AK..P series. Material is iron. Length of 1000mm / 2000mm.



### SS11

End Bracket

For TS-35, TS-35/15 rails. Grey color. Using UL94-V0 class of insulation material.



### DSD01-10XXN

Plug-in bridge

For DP10, DP10-PE, DP10-TN, DP10-TN-PE, AK10, AK10-TN. Red color. Using UL94-V0 class of insulation material.



## TM45W

Marking Label

For BEST APPLICATION : DP10, DP10-TN, DP10-PE, DP10-TN-PE

AVAILABLE APPLICATION : DP16, DP16-PE, DK10-TF(5X20) White color.

Using UL94-V2 class of insulation material.



## TM50W

Marking Label

For BEST APPLICATION : DP10, DP10-TN, DP10-PE, DP10-TN-PE

AVAILABLE APPLICATION : DP16, DP16-PE White color. Using UL94-V2

class of insulation material.



## DP10C

End Cover

For DP10 Grey color. Using UL94-V0 class of insulation material.