

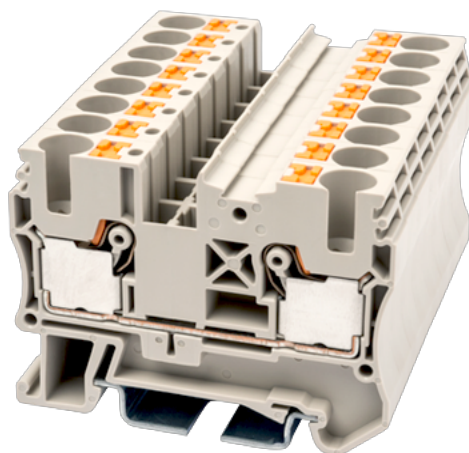
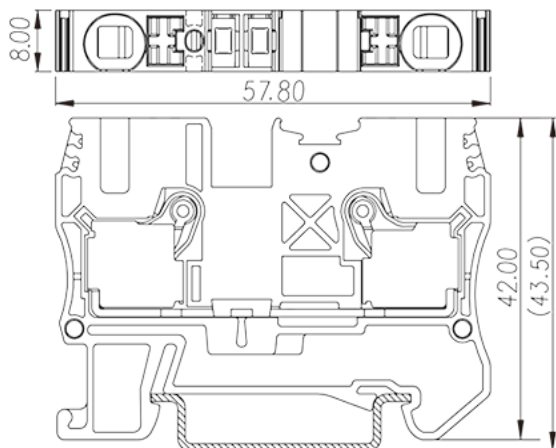
DP6

DIN

>

:2021-09-08

:1.1



600V, 40A, Beige (default)

	Single level Feed-Through Terminal Block, Push-in Design
	Single level Feed Through Terminal Block
	Beige (default)
	Push-in Design
	Rail Mounting
(mm)	57.8
(mm)	8
(mm)	42
()	1P
	Single level
	2
	PA
	I
UL 94	V0
	500M at DC 500V

-IEC

(V)	1000
(A)	41
(III/3)(V)	1000
(III/3)(KV)	8
(mm ²)	0.5
(mm ²)	10
(mm ²)	0.5
(mm ²)	6
(mm ²) , ,	0.5
(mm ²) , ,	6
(mm ²) , ,	0.5
(mm ²) , ,	6
² (mm ²) , ,	0.5
² (mm ²) , ,	1.5
Width)(mm) (Blade thickness x	0.8x4.0
	12
	TS-35
	YES
	NO

-UL

(UL/CUL Group B)(V)	600
(UL/CUL Group B)(A)	40
(UL/CUL Group C)(V)	600
(UL/CUL Group C)(A)	40
UL/CUL AWG	20
UL/CUL AWG	8
UL/CUL AWG	20
UL/CUL AWG	8

&

(YES or NO)	YES
가 (YES or NO)	YES
	120
	-40

UL

(Group B)(AWG)	20~8
(Group B)(V)	600
(Group B)(A)	40
(Group C)(AWG)	20~8
(Group C)(V)	600
(Group C)(A)	40

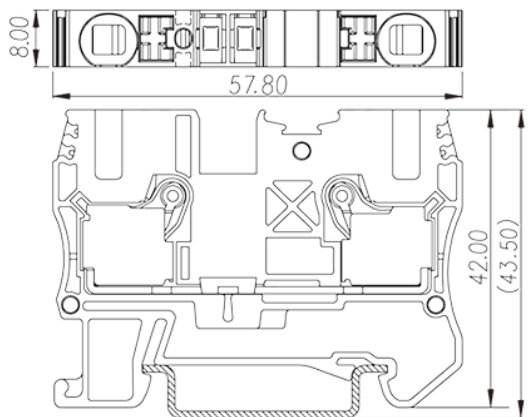
CUL

(Group B)(AWG)	20~8
(Group B)(V)	600
(Group B)(A)	40
(Group C)(AWG)	20~8
(Group C)(V)	600
(Group C)(A)	40

VDE

(mm ²)	0.5~6
(V)	1000
(A)	41

--	--



TS-35C

DIN rail end cap

For TS-35 rail. Black color. Using UL94-V2 class of insulation material.



AKSPS-002

Partition Plate

For AK6 / DP6 Gray color. Using UL94-V0 class of insulation material.



DP6C

End Cover

For DP6 Grey color. Using UL94-V0 class of insulation material.

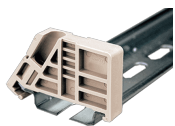


TS-35

DIN-Rail

For DP / DP-PE / DK / DK-PE / AK / AK-PE / AK..P series. Material is iron.
Length of 1000mm / 2000mm.

SS11



End Bracket

For TS-35, TS-35/15 rails. Grey color. Using UL94-V0 class of insulation material.



DSD01-6XXN

Plug-in bridge

For DP6 / AK46 / AK6-TN / AK6-TR Red color. Using UL94-V0 class of insulation material.



TM44W

Marking Label

For BEST APPLICATION : DP6, DP6-TN, DP6-TR, DP6-PE, DP6-TN-PE, DP6-TR-PE, DPTD6, DPTL6, DPTD6-D05, DPTD6-D06, DK6S AVAILABLE APPLICATION : DK4N-TF(5X20), DK4N-TFL(5X20), DKK4-TF(5X20) White color. Using UL94-V2 class of insulation material.



TM49W

Marking Label

For BEST APPLICATION : DP6, DP6-TN, DP6-TR, DP6-PE, DP6-TN-PE, DP6-TR-PE, DPTD6, DPTL6, DPTD6-D05, DPTD6-D06, DK6N, DK6N-TN, DK6N-PE, DKTD6N, DKTD6, DKTL6, PM6N AVAILABLE APPLICATION : DK10N, DK10N-TN, DK10N-PE, DK10-PE, DK16-PE, DK16N-PE, DK16H, DK35H, DK35H-PE, DK50, DK50-PE, DK95-PE, DK95, DK150, DK240 DKM5, DKM6, DKM8, DKM10, DKM12, DKMW8, DKM6-2, DKM8-2, DKM10-2, SS4, SS5, SS6, SS7, SS8, SS11 White color. Using UL94-V2 class of insulation material.